



MODEL: **AJ-B-2DJ18L**

## AQUAJET

manufactured by **MECHLINE**

AquaJet Deck mounted 1/2-inch monobloc mixer with lever control and 450mm double jointed spout

**Manufacturer:** Mechline Developments Limited.

**Brand:** AquaJet.

**Model Range:** AquaJet 20.

**Spout:** 450mm double jointed spout.

**Mount:** Deck mounted.

**Hole:** Single Hole.

**Water Feed:** Twin Water Feed.

**Control(s):** Lever.

**Accreditation:** WRAS.

### FEATURES & BENEFITS

- Comprehensive range of taps manufactured to meet the rigours of commercial catering.
- Easy lever operation.
- Selection of spout options to suit most applications.

### TECHNICAL INFORMATION

**Connection(s):** 1/2-inch.

**Worktop hole:** 25mm.

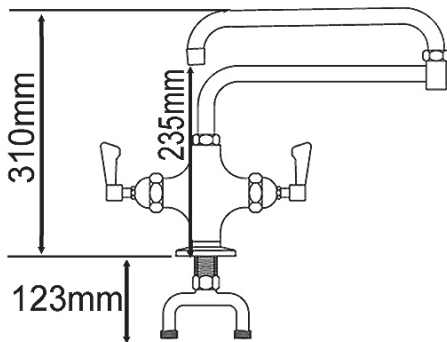
**Recommended working pressure:** 1.5 - 5 bar.

**Flow rates:** 5.97 lpm tested at 3 bar pressure.



### MAINTENANCE & CLEANING

**Cleaning chrome:** Do not use abrasive, chlorine or acid-based cleaning products. Avoid contact with concentrated bleach. Clean with soapy water using a cloth or sponge.



Dimensions are in millimeters. If a CAD file is required please visit [www.mechline.com](http://www.mechline.com).



MECHLINE DEVELOPMENTS LIMITED

Tel: +44 (0)1908 261511 | Email: [info@mechline.com](mailto:info@mechline.com) | Web: [www.mechline.com](http://www.mechline.com)